

# DATA SHEET

## **TDA1599**

**IF amplifier/demodulator for FM  
radio receivers**

Product specification  
File under Integrated Circuits, IC01

May 1994

# IF amplifier/demodulator for FM radio receivers

## TDA1599

### FEATURES

- Balanced limiting amplifier
- Balanced coincidence demodulator
- Two open-collector stop pulse outputs for microcomputer tuning control
- Simulated behaviour of a ratio detector (internal field strength and detuning dependent voltage for dynamic AF signal muting)
- Mono/stereo blend field strength indication control voltage
- AFC output
- 3-state mode switch for FM-MUTE-ON, FM-MUTE-OFF and FM-OFF
- Internal compensation of AF signal total harmonic distortion (THD)
- Built-in hum and ripple rejection circuits.

### GENERAL DESCRIPTION

The TDA1599 provides IF amplification, symmetrical quadrature demodulation and level detection for quality home and car FM radio receivers and is suitable for mono and stereo reception. It may also be applied to common front ends, stereo decoders and AM receiver circuits.

### QUICK REFERENCE DATA

SYMBOL	PARAMETER	MIN.	TYP.	MAX.	UNIT
$V_P$	positive supply voltage (pin 1)	7.5	8.5	12	V
$I_P$	supply current ( $I_2 = I_7 = 0$ )	–	20	26	mA
$V_i$	IF input sensitivity for limiting on pin 20 (RMS value)	14	22	35	$\mu$ V
$V_o$	AF output signal on pin 4 (RMS value)	180	200	220	mV
S/N	signal-to-noise ratio ( $f_m = 400$ Hz; $\Delta f = \pm 75$ kHz)	–	82	–	dB
THD	total harmonic distortion ( $f_m = 1$ kHz; $\Delta f = \pm 75$ kHz)	–	0.1	0.3	%
	with K2 adjustment and FM-MUTE-OFF	–	0.07	0.25	%
$T_{amb}$	operating ambient temperature	–40	–	+85	$^{\circ}$ C

All pin numbers mentioned in this data sheet refer to the SO-version (TDA1599T) unless otherwise specified.

### ORDERING INFORMATION

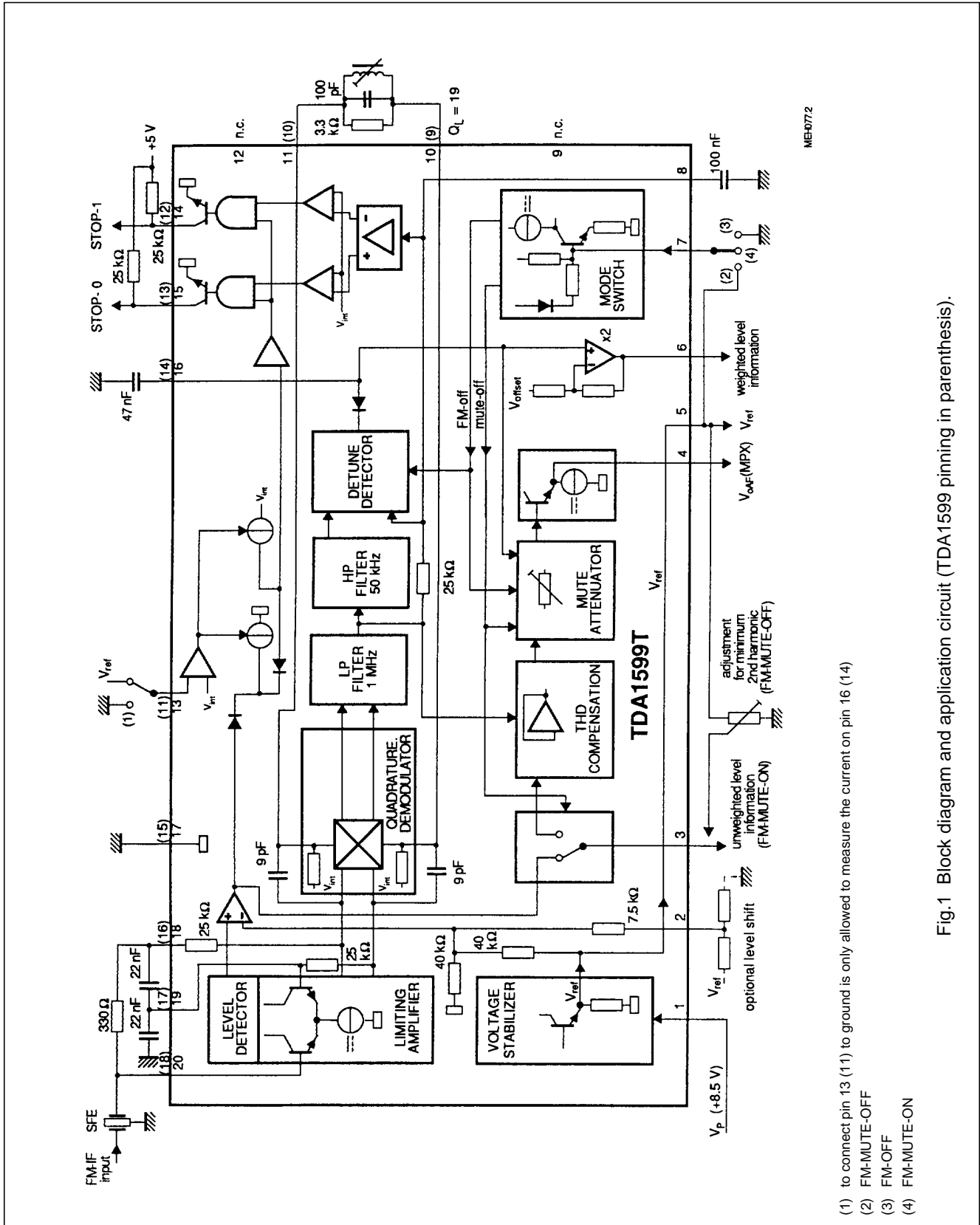
EXTENDED TYPE NUMBER	PACKAGE			
	PINS	PIN POSITION	MATERIAL	CODE
TDA1599	18	DIL	plastic	SOT102 <sup>(1)</sup>
TDA1599T	20	mini-pack	plastic	SOT163A <sup>(2)</sup>

### Notes

1. SOT102-1; 1996 August 29.
2. SOT163-1; 1996 August 29.

IF amplifier/demodulator for FM radio receivers

TDA1599



(1) to connect pin 13 (11) to ground is only allowed to measure the current on pin 16 (14)

(2) FM-MUTE-OFF

(3) FM-OFF

(4) FM-MUTE-ON

Fig.1 Block diagram and application circuit (TDA1599 pinning in parenthesis).

# IF amplifier/demodulator for FM radio receivers

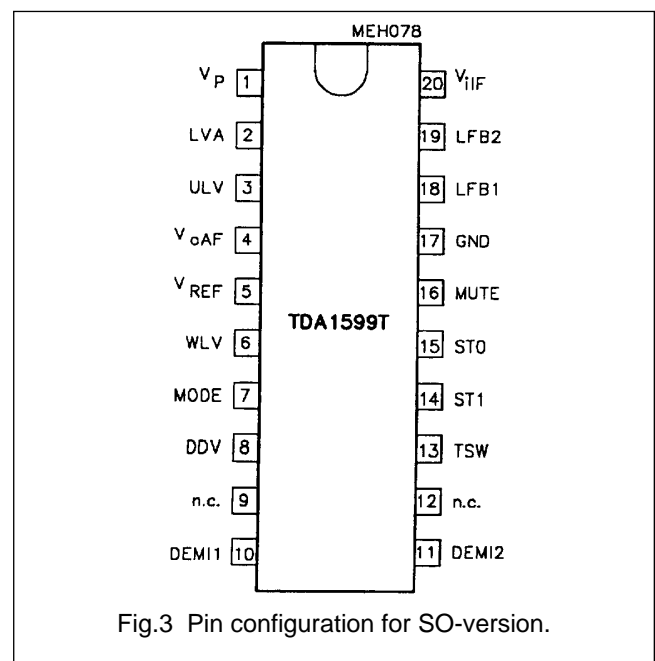
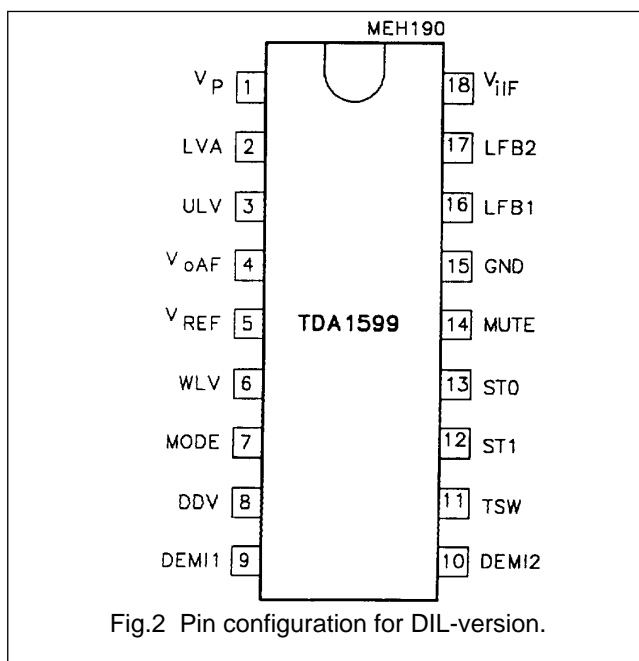
## TDA1599

### PINNING; note 1

SYMBOL	PIN	DESCRIPTION
V <sub>P</sub>	1 (1)	supply voltage (+8.5 V)
LVA	2 (2)	level adjustment for stop condition
ULV	3 (3)	unweighted level output / K2 adjustment
V <sub>oAF</sub>	4 (4)	audio frequency output (MPX signal)
V <sub>REF</sub>	5 (5)	reference voltage output
WLV	6 (6)	weighted level output
MODE	7 (7)	mode switch input
DDV	8 (8)	detune detector voltage
n.c.	9 (-)	not connected
DEMI1	10 (9)	demodulator input 1
DEMI2	11 (10)	demodulator input 2
n.c.	12 (-)	not connected
TSW	13 (11)	tau switch input
ST1	14 (12)	STOP-1, stop pulse output 1
ST0	15 (13)	STOP-0, stop pulse output 0
MUTE	16 (14)	muting voltage
GND	17 (15)	ground (0 V)
LFB1	18 (16)	IF limiter feedback 1
LFB2	19 (17)	IF limiter feedback 2
V <sub>iIF</sub>	20 (18)	IF signal input

### Note

1. SO-version TDA1599T; pinning for DIL-version in parenthesis.



---

## IF amplifier/demodulator for FM radio receivers

---

TDA1599

### FUNCTIONAL DESCRIPTION

The limiter amplifier has five stages of IF amplification using balanced differential limiter amplifiers with emitter follower coupling.

Decoupling of the stages from the supply voltage line and an internal high-ohmic DC feedback loop give a very stable IF performance. The amplifier gain is virtually independent of changes in temperature.

The FM demodulator is fully balanced and comprises two cross-coupled differential amplifiers. The quadrature detection of the FM signal is performed by direct feeding of one differential amplifier from the limiter amplifier output, and the other via an external 90 degrees phase shifting network. The demodulator has a good stability and a small zero-cross-over shift. The bandwidth on the demodulator output is restricted by an internal low-pass filter to approximately 1 MHz.

Non-linearities, which are introduced by demodulation, are compensated by the THD compensation circuit. For this reason, the demodulator resonance circuit (between pins 10 and 11) must have a loaded Q-factor of 19.

Consequently, there is no need for the demodulator tuned circuit to be adjusted for minimum distortion. Adjustment criterion is a symmetrical stop pulse. The control voltage for the mute attenuator (pin 16) is derived from the values of the level detector and the detuning detector output signals. The mute attenuator has a fast attack and a slow decay determined by the capacitor on pin 16. The AF signal is fed via the mute attenuator to the output (pin 4). A weighted control voltage (pin 6) is obtained from the mute attenuator control voltage via a buffer amplifier that introduces an additional voltage shift and gain.

The level detector generates a voltage output signal proportional to the amplitude of the input signal. The unweighted level detector output signal is available in FM-MUTE-ON condition (mode switch).

The open-collector tuning stop output voltages STOP-0 and STOP-1 (pins 15 and 14) are derived from the detuning and the input signal level. The pins 14 and 15 may be tied together, if only one tuning-stop output is required.

# IF amplifier/demodulator for FM radio receivers

## TDA1599

### LIMITING VALUES (TDA1599T PINNING)

In accordance with the Absolute Maximum Rating System (IEC 134).

SYMBOL	PARAMETER	MIN.	MAX.	UNIT
$V_P$	supply voltage (pin 1)	-0.3	+13	V
$V_{n1}$	voltage at pins 2, 4, 5, 6, 10, 11 and 16	-0.3	+10	V
$V_{n2}$	voltage at pins 7, 3, 8, 14, 15, 18, 19 and 20	-0.3	$V_P$	V
$V_{13}$	voltage on pin 13	-	6	V
$I_{14, 15}$	current at pins 14 and 15	-	2	mA
$P_{tot}$	total power dissipation	-	360	mW
$T_{stg}$	storage temperature	-55	+150	°C
$T_{amb}$	operating ambient temperature	-40	+85	°C
$V_{ESD}$	electrostatic handling; note 1			
	all pins except 5 and 7	-	±2000	V
	pin 5	-	+800	V
	pin 7	-	-2000	V
		-	+1000	V
		-	-2000	V

#### Note to the limiting values

1. Equivalent to discharging a 100 pF capacitor through a 1.5 kΩ series resistor.

### THERMAL RESISTANCE

SYMBOL	PARAMETER	THERMAL RESISTANCE
$R_{th\ j-a}$	from junction to ambient in free air	
	SOT102	80 K/W
	SOT163A	90 K/W

# IF amplifier/demodulator for FM radio receivers

TDA1599

## CHARACTERISTICS (TDA1599T PINNING)

$V_P = 8.5$  V;  $T_{amb} = +25$  °C; FM-MUTE-ON ( $I_7 = 0$ );  $f_{IF} = 10.7$  MHz; deviation  $\pm 22.5$  kHz with  $f_m = 400$  Hz;  $V_i = 10$  mV RMS at pin 20; de-emphasis of 50  $\mu$ s; tuned circuit at pins 10 and 11 aligned for symmetrical stop pulses; measurements taken in Fig.4 unless otherwise specified.

SYMBOL	PARAMETER	CONDITIONS	MIN.	TYP.	MAX.	UNIT
$V_P$	positive supply voltage (pin 1)		7.5	8.5	12	V
$I_P$	supply current	$I_2 = I_7 = 0$	–	20	26	mA
<b>Mode switch input</b>						
$I_7$	input current for FM-MUTE-ON		–	0	–	mA
$V_7$	input voltage for FM-MUTE-ON		2.4	2.8	3.2	V
	input voltage for FM-MUTE-OFF		$0.9V_{REF}$	–	–	V
	input voltage for FM-OFF	AF attenuation > 60 dB	–	–	1.4	V
<b>IF amplifier and demodulator</b>						
$Z_i$	demodulator input impedance between pins 10 and 11		25	40	55	k $\Omega$
$C_i$	demodulator input capacitance between pins 10 and 11		–	6	–	pF
<b>AF output (pin 4)</b>						
$R_o$	output resistance		–	400	–	$\Omega$
$V_4$	DC output level	$V_{iIF} \leq 5$ $\mu$ V RMS on pin 20	2.75	3.1	3.45	V
$RR_{1000}$	power supply ripple rejection on pin 4	$f = 1000$ Hz; $V_{ripple} = 50$ mV RMS	33	36	–	dB
<b>Tuning stop detector</b>						
$\Delta f$	detuning frequency for STOP-0 for $V_{15} \geq 3.5$ V for $V_{15} \leq 0.3$ V	on pin 15; Fig.11	–	–	+14.0	kHz
			+22.0	–	–	kHz
$\Delta f$	detuning frequency for STOP-1 for $V_{14} \geq 3.5$ V for $V_{14} \leq 0.3$ V	on pin 14; Fig.10	–	–	–14.0	kHz
			–22.0	–	–	kHz
$V_{20}$	dependence on input voltage for STOP-0 and STOP-1 (RMS value)	Fig.9; $V_{14, 15} \geq 3.5$ V $V_{14, 15} \leq 0.3$ V	250	–	–	$\mu$ V
			–	–	50	$\mu$ V
$V_{14, 15}$	output voltage	$I_{14, 15} = 1$ mA	–	–	0.3	V
<b>Reference voltage source (pin 5)</b>						
$V_{REF}$	reference output voltage	$I_5 = -1$ mA	3.3	3.7	4.1	V
$R_5$	output resistance	$I_5 = -1$ mA	–	40	80	$\Omega$
TC	temperature coefficient		–	3.3	–	mV/VK

# IF amplifier/demodulator for FM radio receivers

TDA1599

SYMBOL	PARAMETER	CONDITIONS	MIN.	TYP.	MAX.	UNIT
<b>External muting</b>						
V <sub>16</sub>	muting voltage at I <sub>2</sub> = 0	V <sub>20</sub> ≤ 5 μV RMS; Fig.12	1.45	1.75	2.05	V
		V <sub>20</sub> = 1 mV RMS	3.0	3.45	3.9	V
S	steepness of control voltage (slope: 100 μV ≤ V <sub>20</sub> ≤ 100 mV) 20 Δlog V <sub>20</sub> = 20 dB (ΔV <sub>16</sub> / Δlog V <sub>20</sub> )		–	0.85	–	V/dec
<b>Internal mute α = 20 log (ΔV<sub>4(FM-MUTE-OFF)</sub> / ΔV<sub>4(FM-MUTE-ON)</sub>)</b>						
α	mute voltage	V <sub>16</sub> ≥ V <sub>REF</sub>	–	0	–	dB
		V <sub>16</sub> = 0.77V <sub>REF</sub>	1.5	–	4.5	dB
		V <sub>16</sub> = 0.55V <sub>REF</sub>	–	20	–	dB
I <sub>16</sub>	current for capacitor (pin 16)					
	charge current	V <sub>13</sub> = 0 V	–	–8	–	μA
	discharge current	V <sub>13</sub> = 0 V	–	+120	–	μA
	charge current	V <sub>13</sub> = V <sub>REF</sub>	–	–100	–	μA
	discharge current	V <sub>13</sub> = V <sub>REF</sub>	–	+120	–	μA
<b>Level detector</b>						
R <sub>6</sub>	output resistance		–	–	500	Ω
V <sub>6</sub>	output voltage at I <sub>2</sub> = 0	V <sub>20</sub> ≤ 5 μV RMS; Fig.14	0.1	–	1.1	V
		V <sub>20</sub> = 1 mV RMS	3.0	–	4.2	V
		±200 kHz detuning	1.2	1.5	1.8	V
	output voltage at V <sub>2</sub> = V <sub>5</sub>	V <sub>20</sub> ≤ 5 μV RMS	–	–	0.3	V
ΔV <sub>6</sub>	output voltage at detuning	±45 kHz detuning	–	–	0.2	V
TC	temperature coefficient		–	3.3	–	mV/VK
Δf	detuning frequency	V <sub>6</sub> = 1.8 V; Fig.13	90	–	160	kHz
S	steepness of control voltage (slope: 50 μV ≤ V <sub>20</sub> ≤ 50 mV) 20 Δlog V <sub>20</sub> = 20 dB (ΔV <sub>6</sub> / Δlog V <sub>20</sub> )		1.4	1.7	2.0	V/dec
ΔV <sub>6</sub> /Δf	slope of output voltage at detuning	Δf = 125 ± 20 kHz	–	35	–	mV/kHz
S	level shift adjustments					
	range by pin 2	±ΔV <sub>6</sub> /V <sub>REF</sub>	0.42	0.5	–	V/V
	gain	–ΔV <sub>6</sub> /ΔV <sub>2</sub>	–	1.7	–	V/V
	range by pin 2	±ΔV <sub>16</sub> /V <sub>REF</sub>	0.21	0.25	–	V/V
	gain	–ΔV <sub>16</sub> /ΔV <sub>2</sub>	–	0.85	–	V/V



# IF amplifier/demodulator for FM radio receivers

TDA1599

## OPERATING CHARACTERISTICS (TDA1599T PINNING)

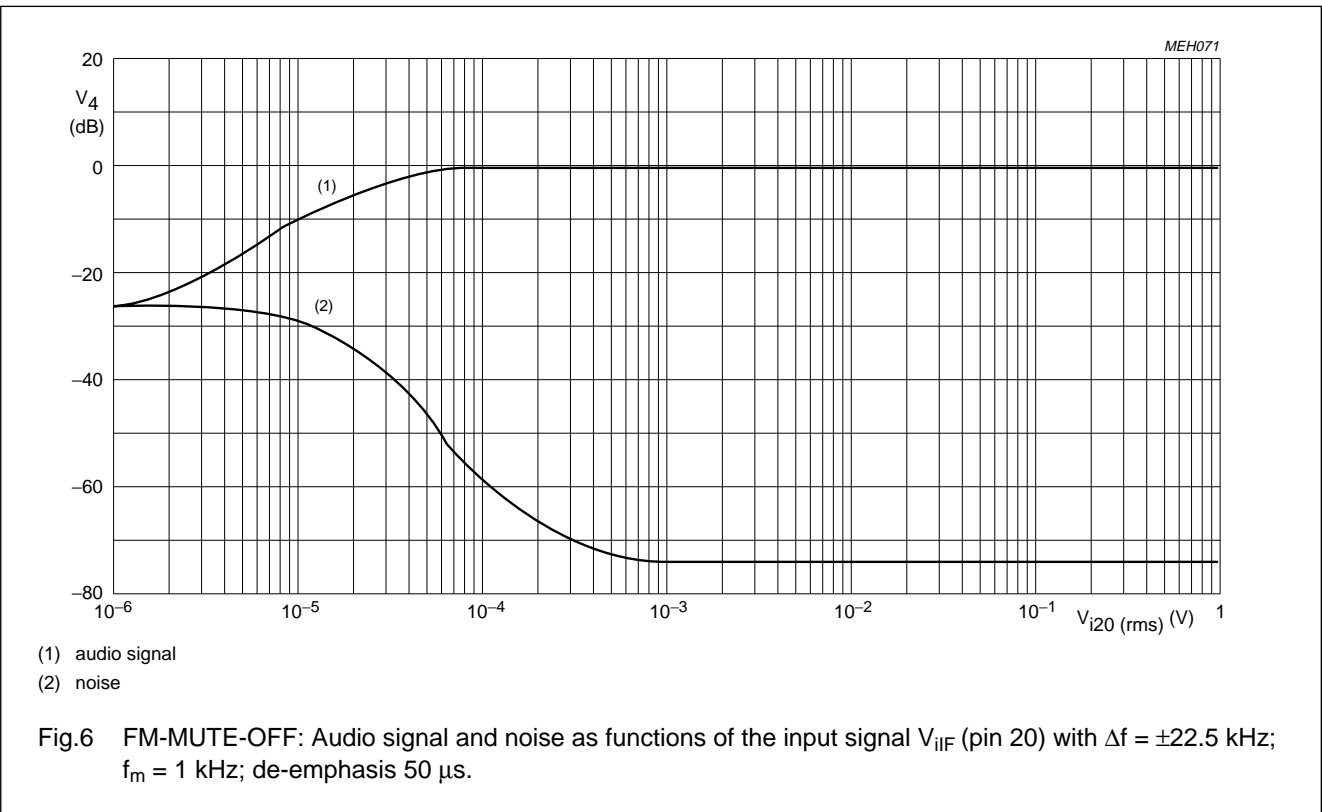
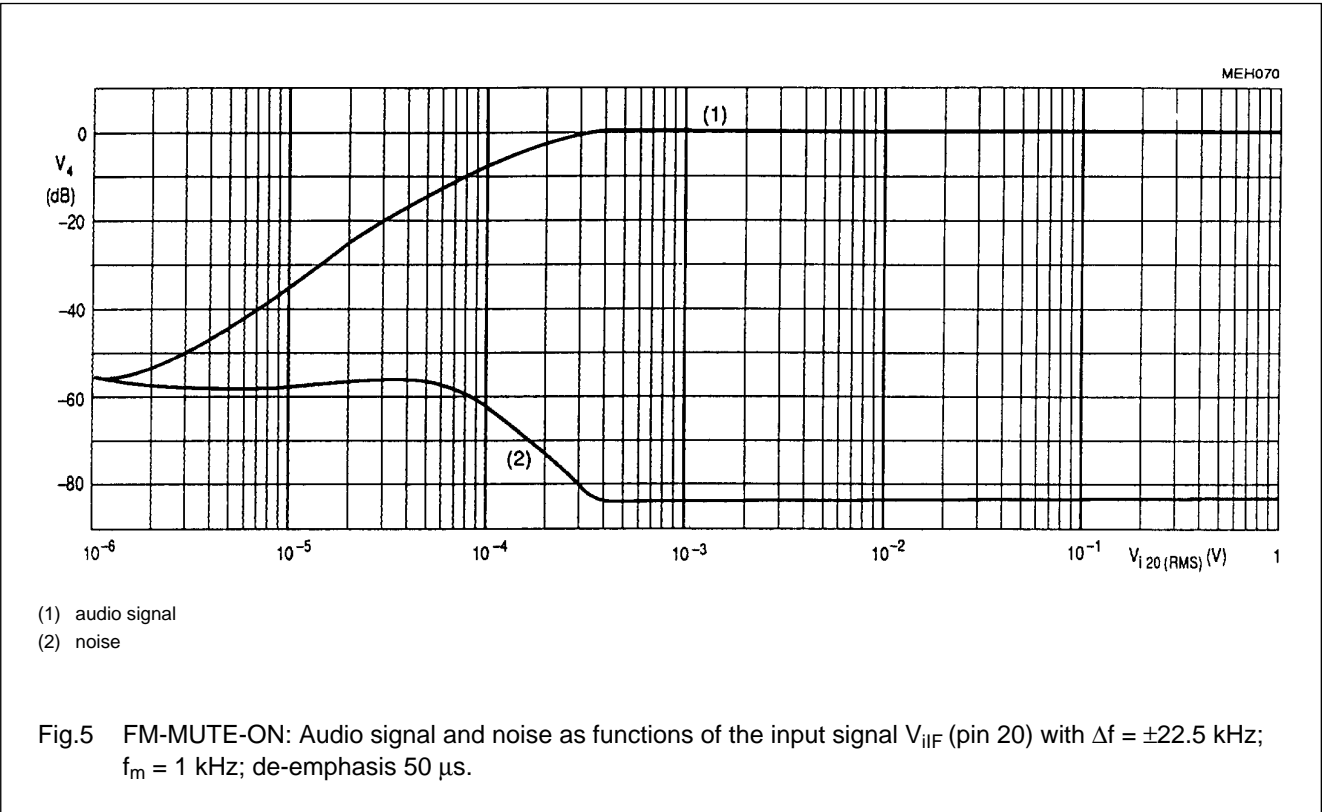
$V_P = 7.5$  to  $12$  V;  $T_{amb} = +25$  °C; FM-MUTE-ON ( $I_7 = 0$ );  $f_{IF} = 10.7$  MHz; deviation  $\pm 22.5$  kHz with  $f_m = 400$  Hz;  $V_i = 10$  mV RMS at pin 20; de-emphasis of  $50$   $\mu$ s; tuned circuit at pins 10 and 11 aligned for symmetrical stop pulses; measurements taken in Fig.4 unless otherwise specified.

SYMBOL	PARAMETER	CONDITIONS	MIN.	TYP.	MAX.	UNIT
<b>IF amplifier and demodulator</b>						
$V_i$	input signal for start of limiting ( $-3$ dB) (RMS value; pin 20)	$V_7 = V_{REF}$ ; FM-MUTE-OFF	14	22	35	$\mu$ V
	input signal for signal-to-noise ratio (RMS value) S/N = 26 dB S/N = 46 dB	$f = 250$ to $15000$ Hz $V_7 = V_{REF}$	–	15	–	$\mu$ V
		$V_7 = V_{REF}$	–	60	–	$\mu$ V
S/N	signal-to-noise ratio	deviation $\pm 75$ kHz	–	82	–	dB
$V_o$	AF output signal (RMS value; pin 4)		180	200	220	mV
THD	total harmonic distortion without de-emphasis without detuning $\pm 25$ kHz detuning compensated via pin 3	deviation $\pm 75$ kHz; $f_m = 1$ kHz; $I_7 = 0$	–	0.1	0.3	%
			–	–	0.6	%
		$V_7 = V_{REF}$	–	0.07	0.25	%
$\Delta V_4$	K2 adjustment ( $\Delta V_4 = V_4(V_3 = 0) - V_4(V_3 = V_{REF})$ )		10	–	–	mV
$\alpha_{AM}$	AM suppression on pin 4 $V_i = 0.3$ to $1000$ mV RMS $V_i = 1$ to $300$ mV RMS	$V_7 = V_{REF}$ ; $m = 30\%$ on pin 20	46	55	–	dB
		on pin 20	60	65	–	dB
<b>Dynamic mute attenuation <math>\alpha = 20 \log (\Delta V_{4(FM-MUTE-OFF)} / \Delta V_{4(FM-MUTE-ON)})</math></b>						
$\alpha$	dynamic mute attenuation	deviation $\pm 75$ kHz; $f_m = 100$ kHz; $V_2 = 1$ V	–	14	–	dB
<b>Tuning stop detector</b>						
$\Delta f$	detuning frequency for STOP-0 for $V_{15} \geq 3.5$ V for $V_{15} \leq 0.3$ V	on pin 15; Fig.11	–	–	+14.0	kHz
			+22.0	–	–	kHz
$\Delta f$	detuning frequency for STOP-1 for $V_{14} \geq 3.5$ V for $V_{14} \leq 0.3$ V	on pin 14; Fig.10	–	–	–14.0	kHz
			–22.0	–	–	kHz
$V_{20}$	dependence on input voltage for STOP-0 and STOP-1 (RMS value)	Fig.9; $V_{14, 15} \geq 3.5$ V	250	–	–	$\mu$ V
		$V_{14, 15} \leq 0.3$ V	–	–	50	$\mu$ V
$R_8$	internal low-pass resistance of detune detector		12	25	50	k $\Omega$



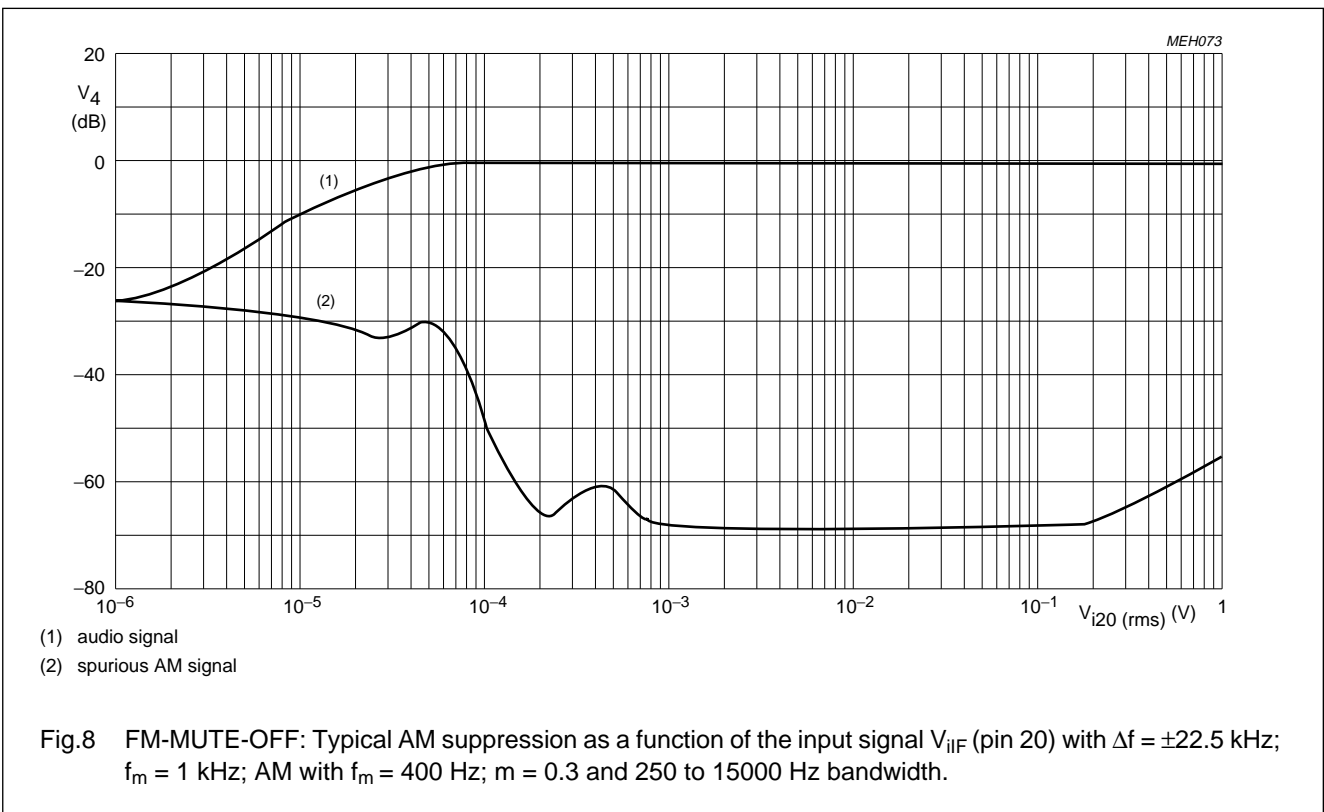
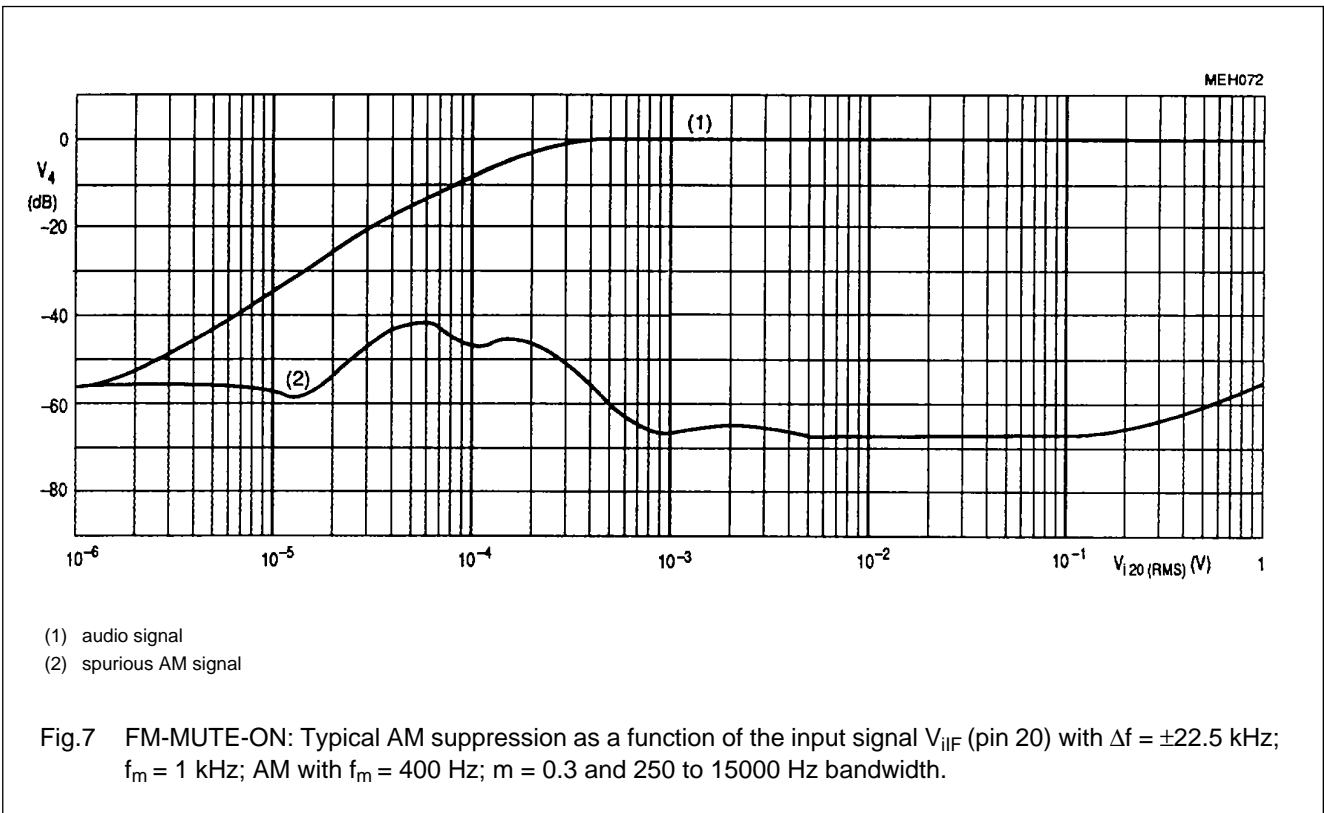
# IF amplifier/demodulator for FM radio receivers

TDA1599



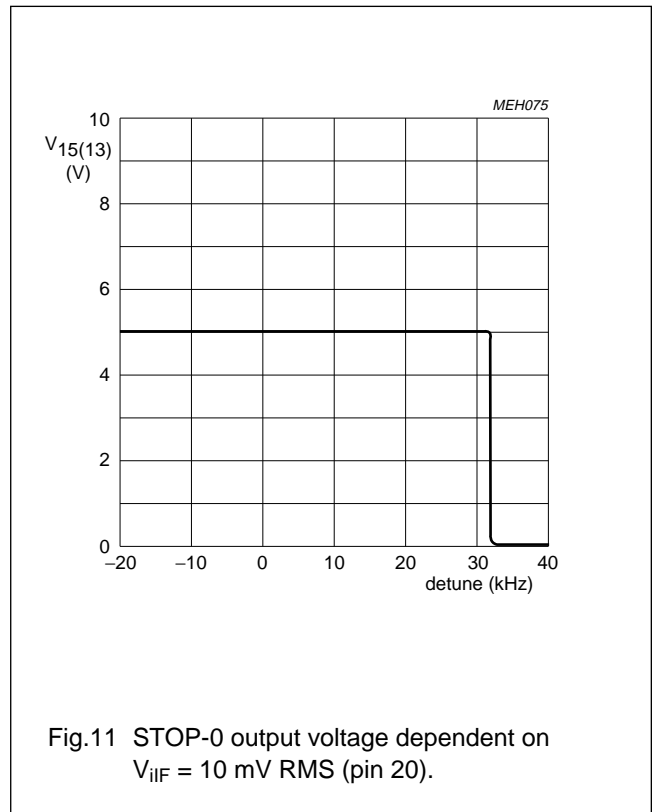
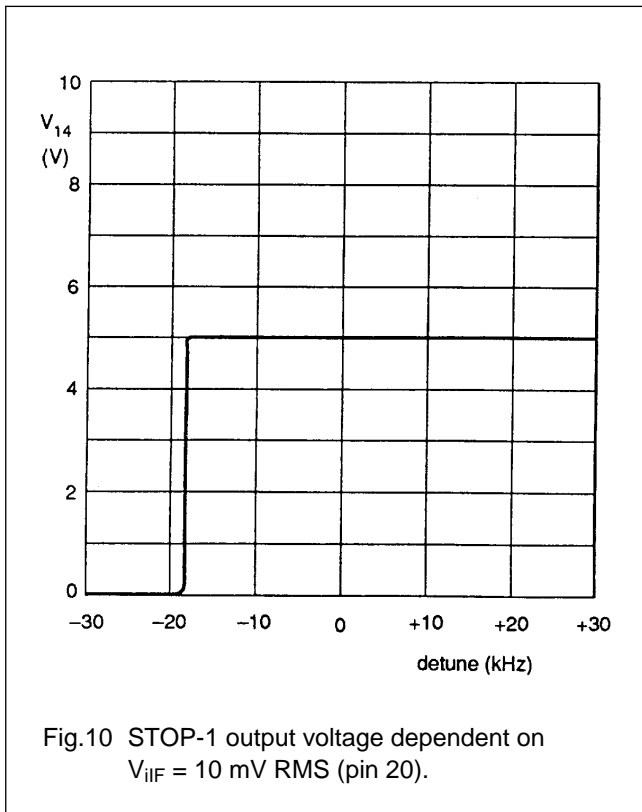
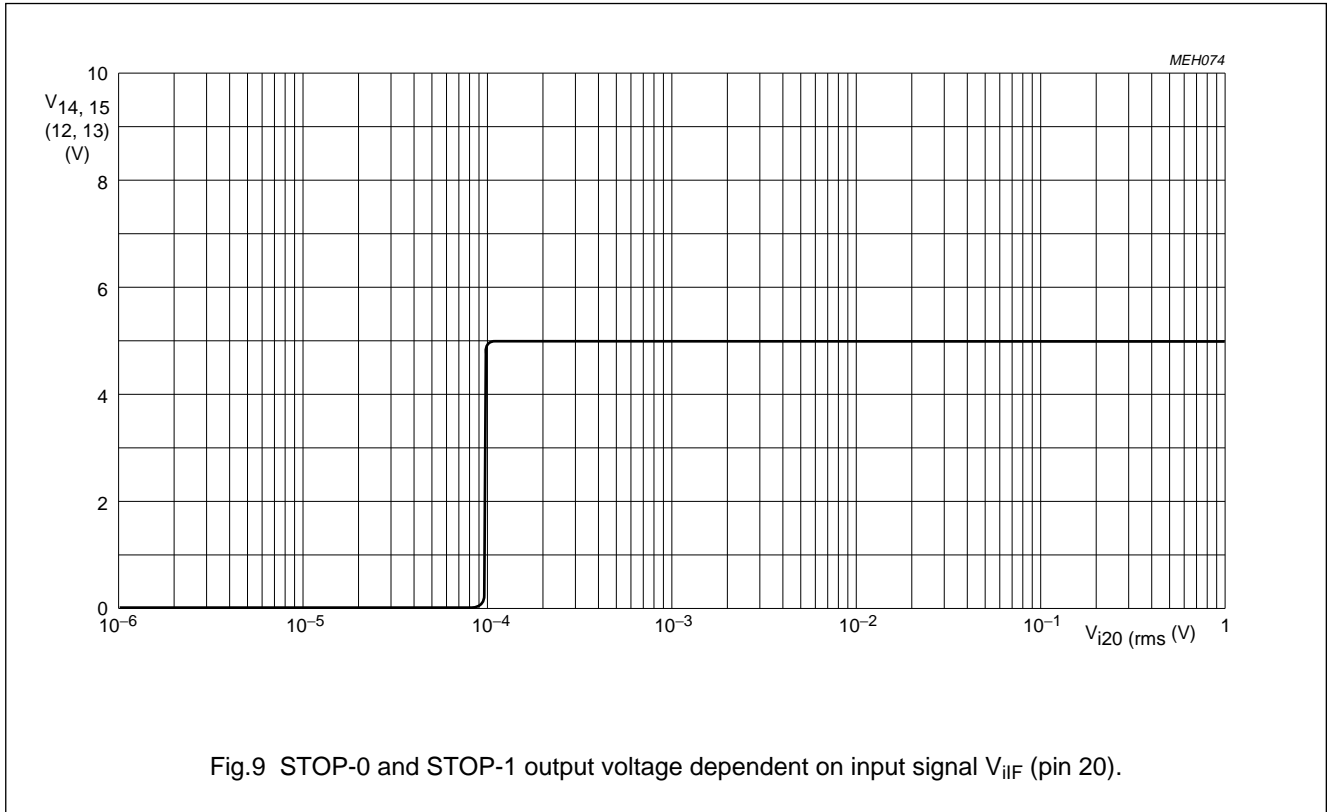
IF amplifier/demodulator for FM radio receivers

TDA1599



# IF amplifier/demodulator for FM radio receivers

## TDA1599



IF amplifier/demodulator for FM radio receivers

TDA1599

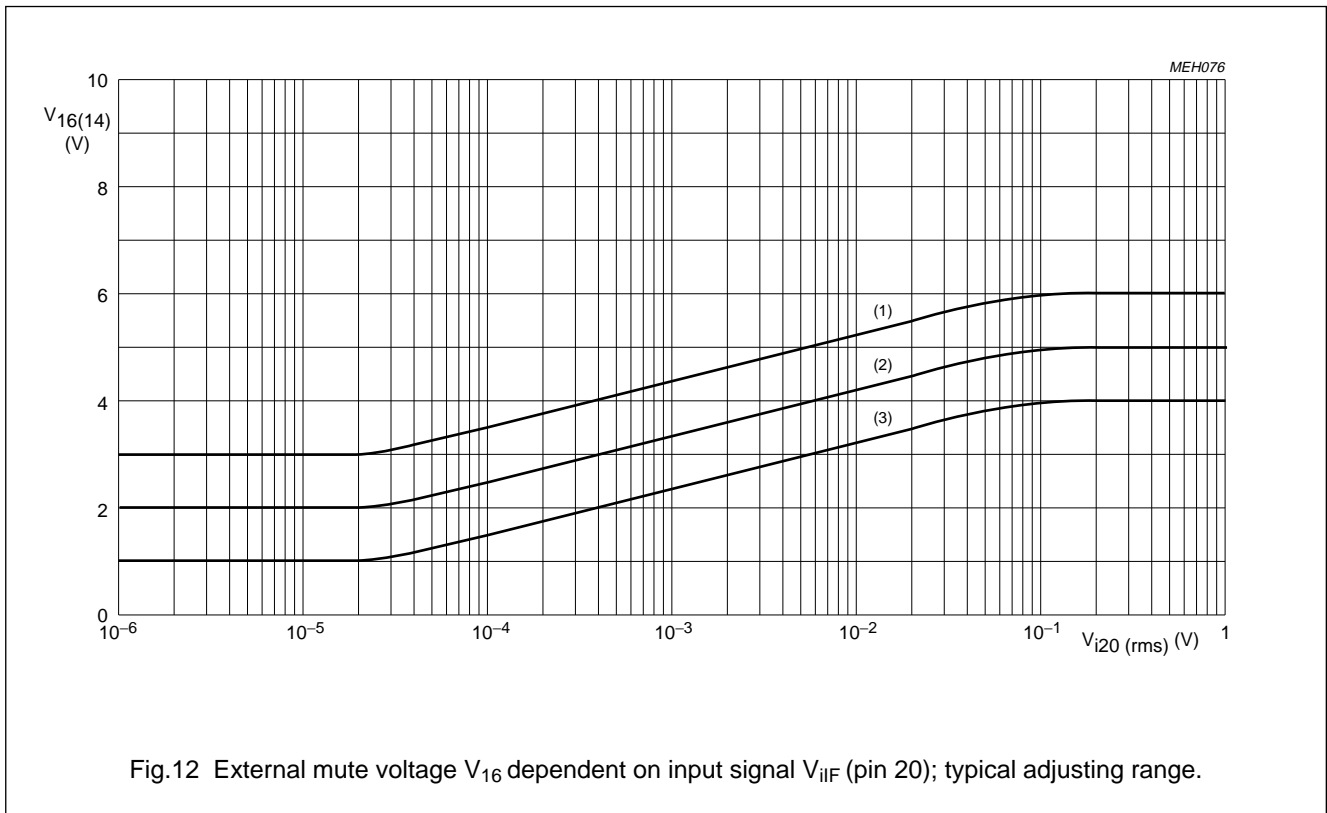


Fig.12 External mute voltage  $V_{16}$  dependent on input signal  $V_{iIF}$  (pin 20); typical adjusting range.

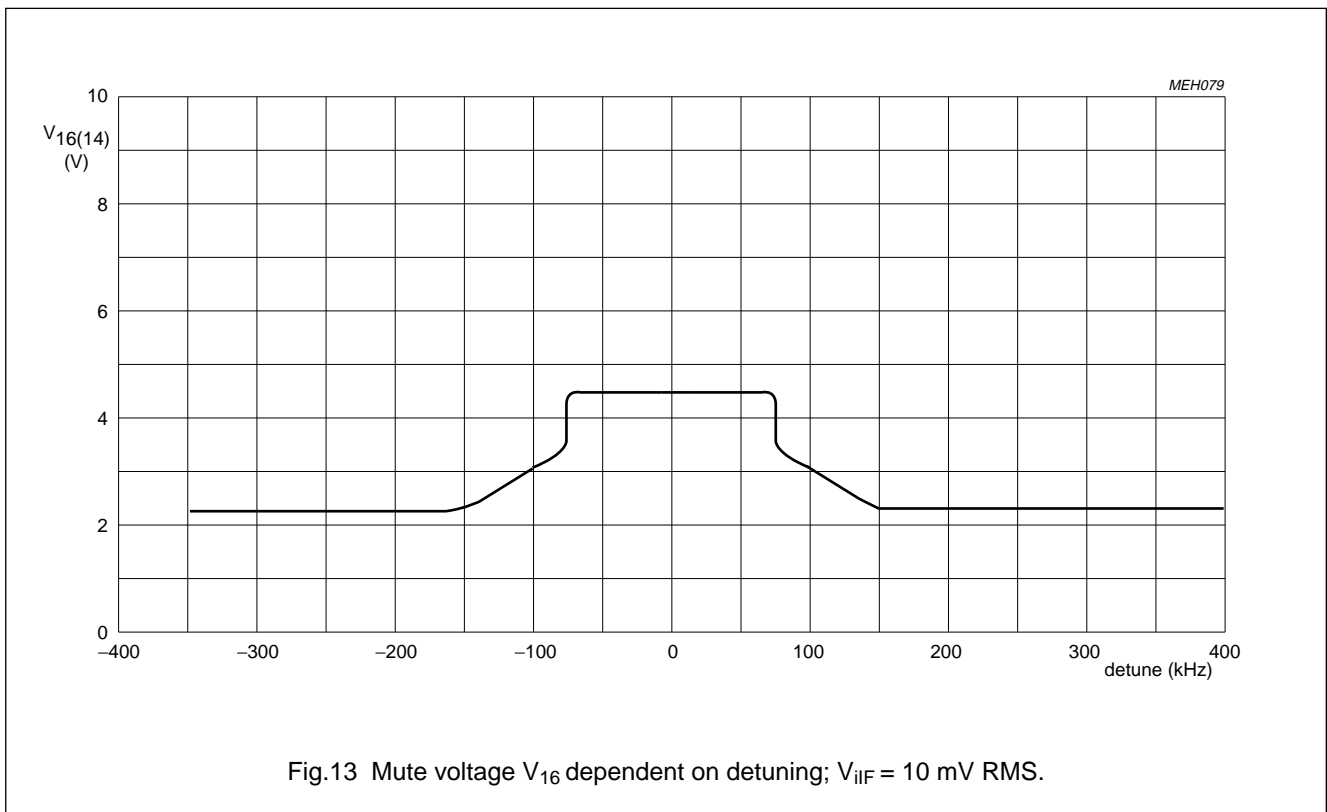


Fig.13 Mute voltage  $V_{16}$  dependent on detuning;  $V_{iIF} = 10$  mV RMS.

IF amplifier/demodulator for FM radio receivers

TDA1599

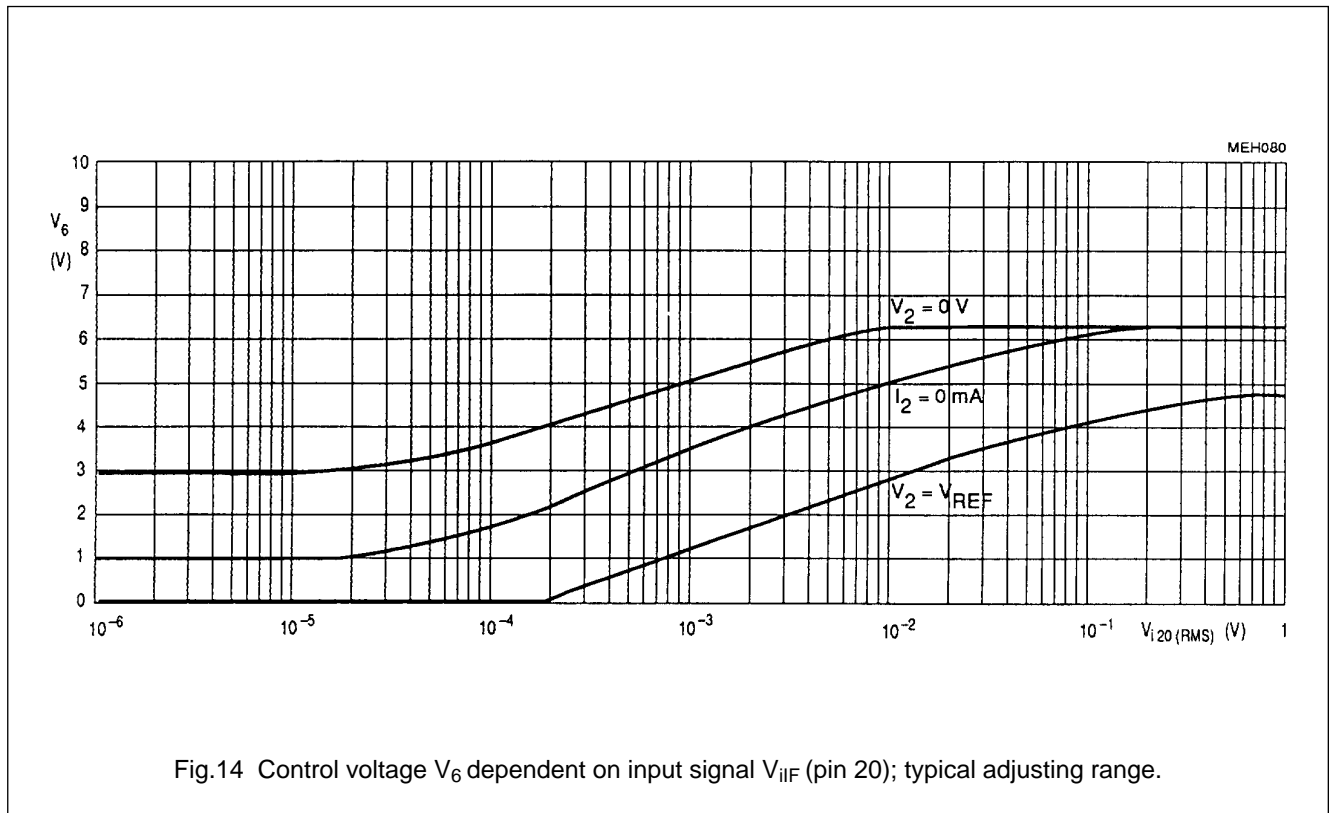


Fig.14 Control voltage  $V_6$  dependent on input signal  $V_{iIF}$  (pin 20); typical adjusting range.

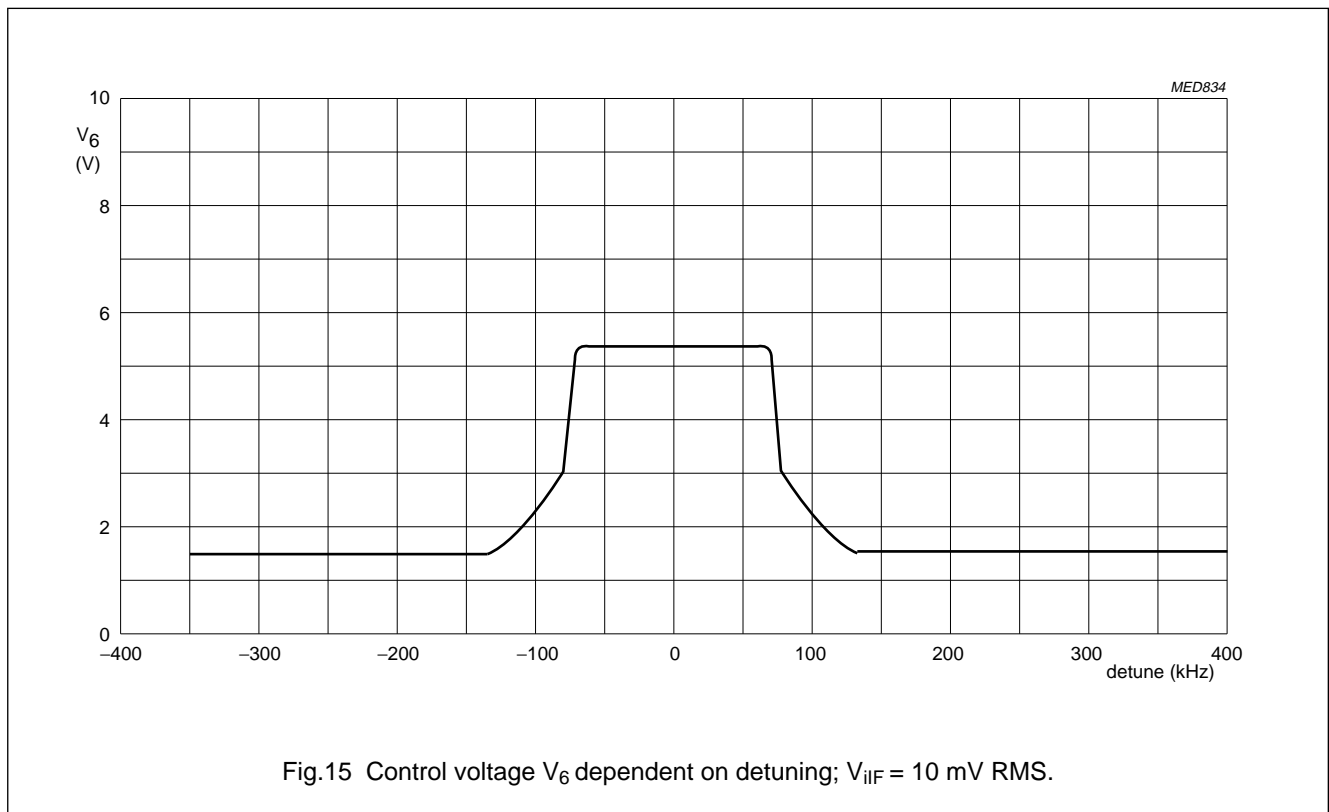


Fig.15 Control voltage  $V_6$  dependent on detuning;  $V_{iIF} = 10$  mV RMS.

IF amplifier/demodulator for FM radio receivers

TDA1599

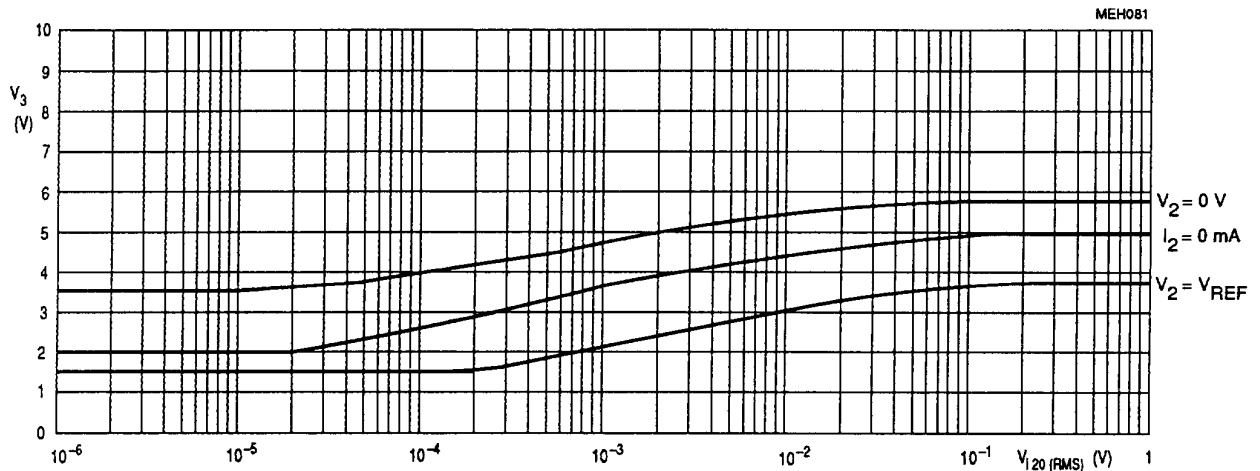


Fig.16 Level output voltage  $V_3$  dependent on input signal  $V_{iIF}$  (pin 20); typical adjusting range.

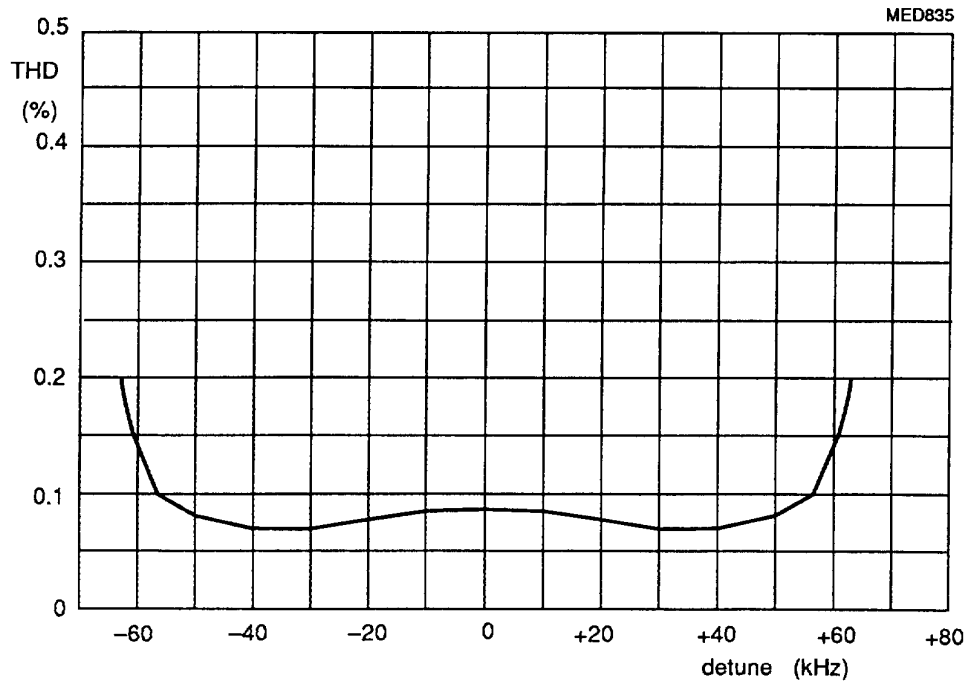


Fig.17 Total harmonic distortion dependent on detuning at FM-MUTE-ON; deviation  $\pm 75$  kHz;  $f_m = 1$  kHz;  $V_{iIF} = 10$  mV.



IF amplifier/demodulator for FM radio receivers

TDA1599

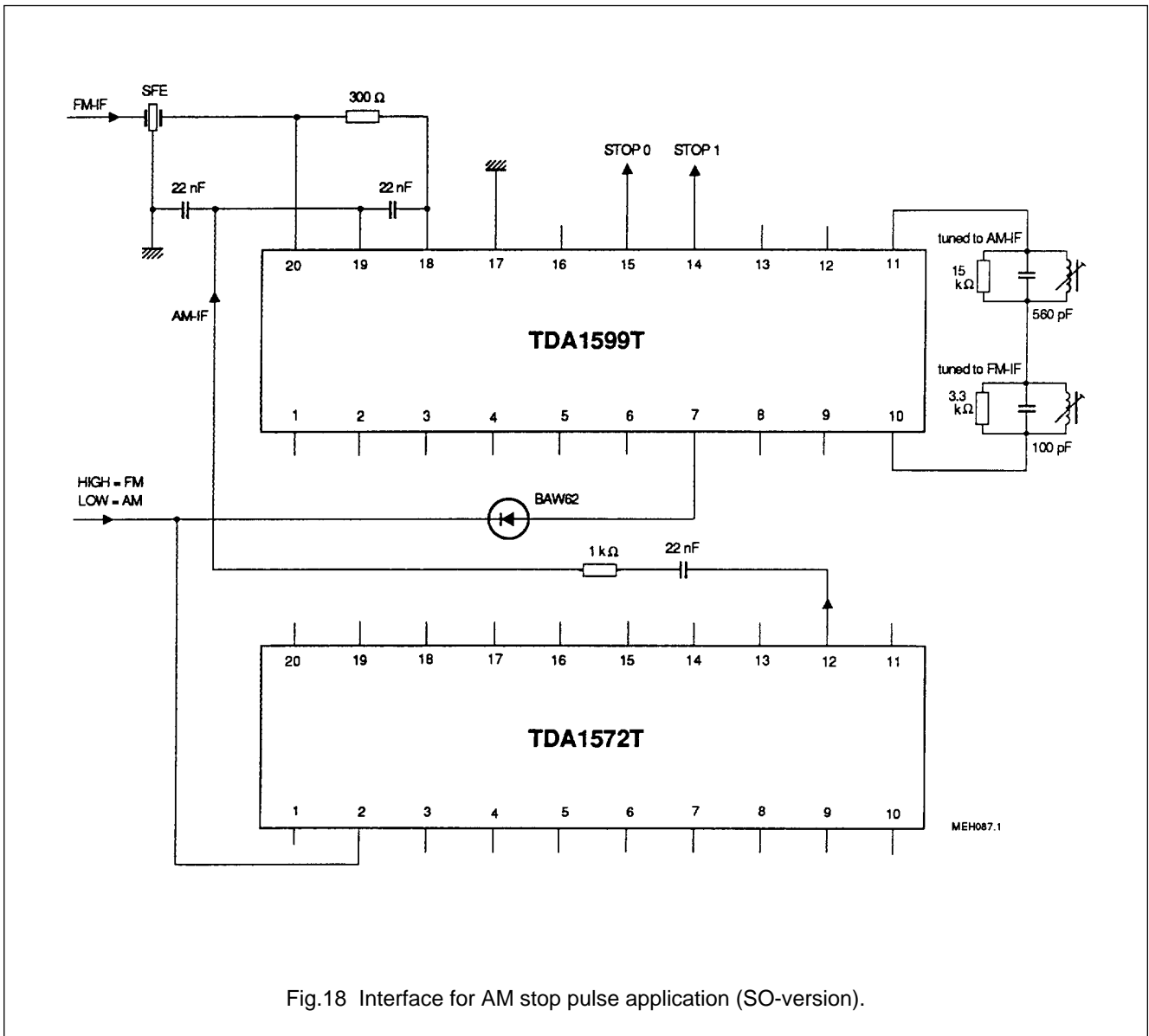


Fig.18 Interface for AM stop pulse application (SO-version).

# IF amplifier/demodulator for FM radio receivers

## TDA1599

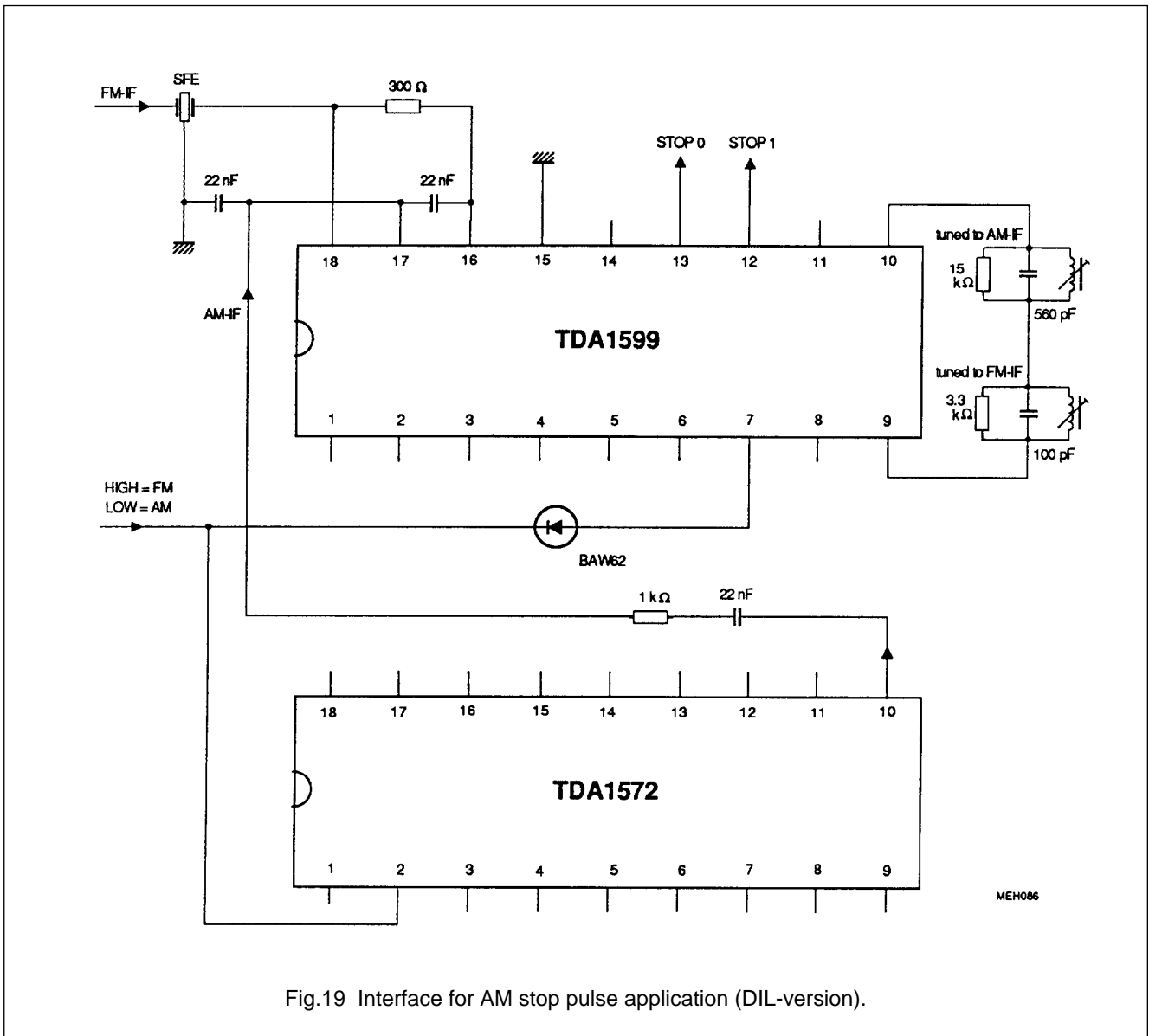


Fig.19 Interface for AM stop pulse application (DIL-version).

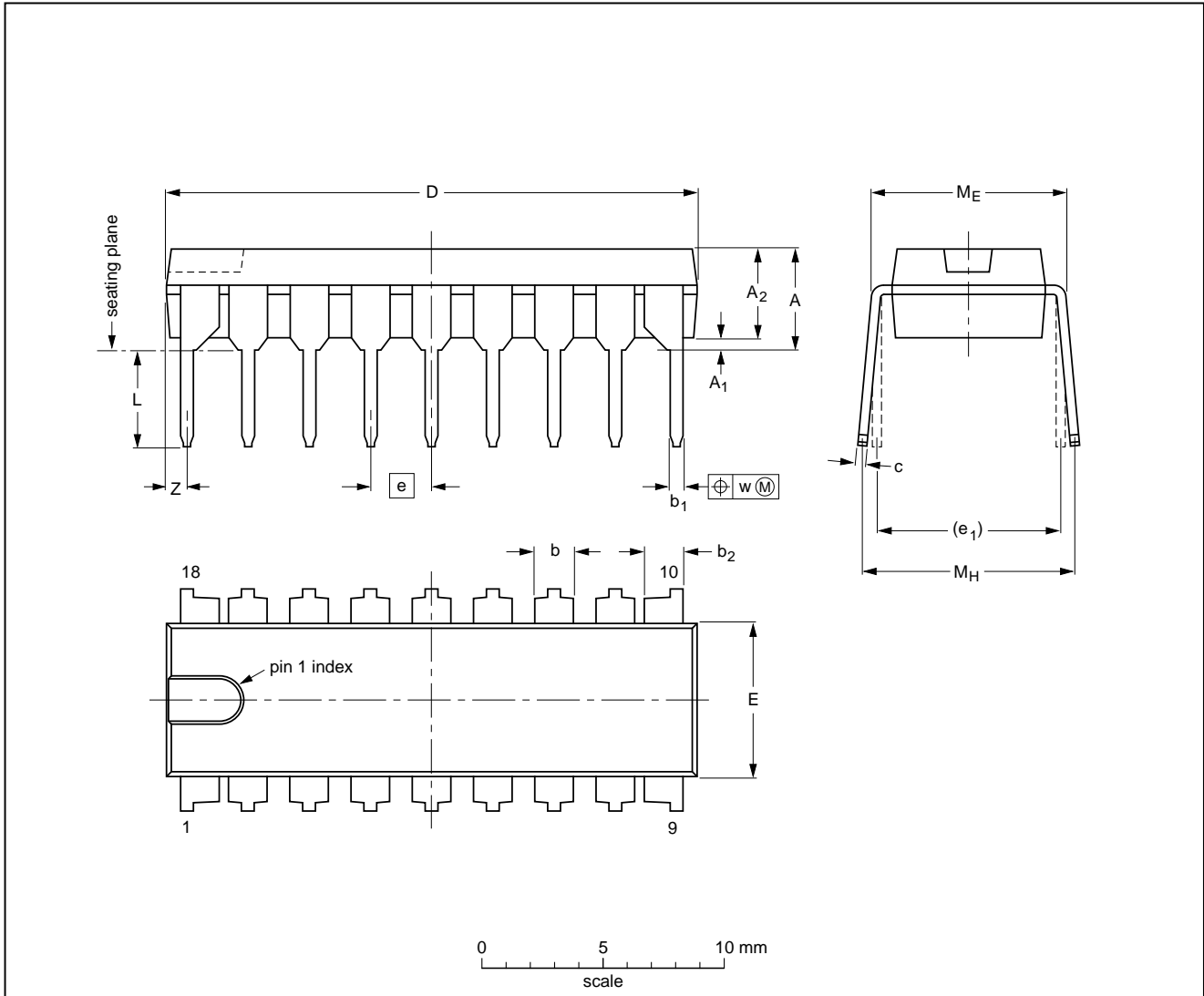
IF amplifier/demodulator for FM radio receivers

TDA1599

PACKAGE OUTLINES

DIP18: plastic dual in-line package; 18 leads (300 mil)

SOT102-1



DIMENSIONS (inch dimensions are derived from the original mm dimensions)

UNIT	A max.	A <sub>1</sub> min.	A <sub>2</sub> max.	b	b <sub>1</sub>	b <sub>2</sub>	c	D <sup>(1)</sup>	E <sup>(1)</sup>	e	e <sub>1</sub>	L	M <sub>E</sub>	M <sub>H</sub>	w	Z <sup>(1)</sup> max.
mm	4.7	0.51	3.7	1.40 1.14	0.53 0.38	1.40 1.14	0.32 0.23	21.8 21.4	6.48 6.20	2.54	7.62	3.9 3.4	8.25 7.80	9.5 8.3	0.254	0.85
inches	0.19	0.020	0.15	0.055 0.044	0.021 0.015	0.055 0.044	0.013 0.009	0.86 0.84	0.26 0.24	0.10	0.30	0.15 0.13	0.32 0.31	0.37 0.33	0.01	0.033

Note

1. Plastic or metal protrusions of 0.25 mm maximum per side are not included.

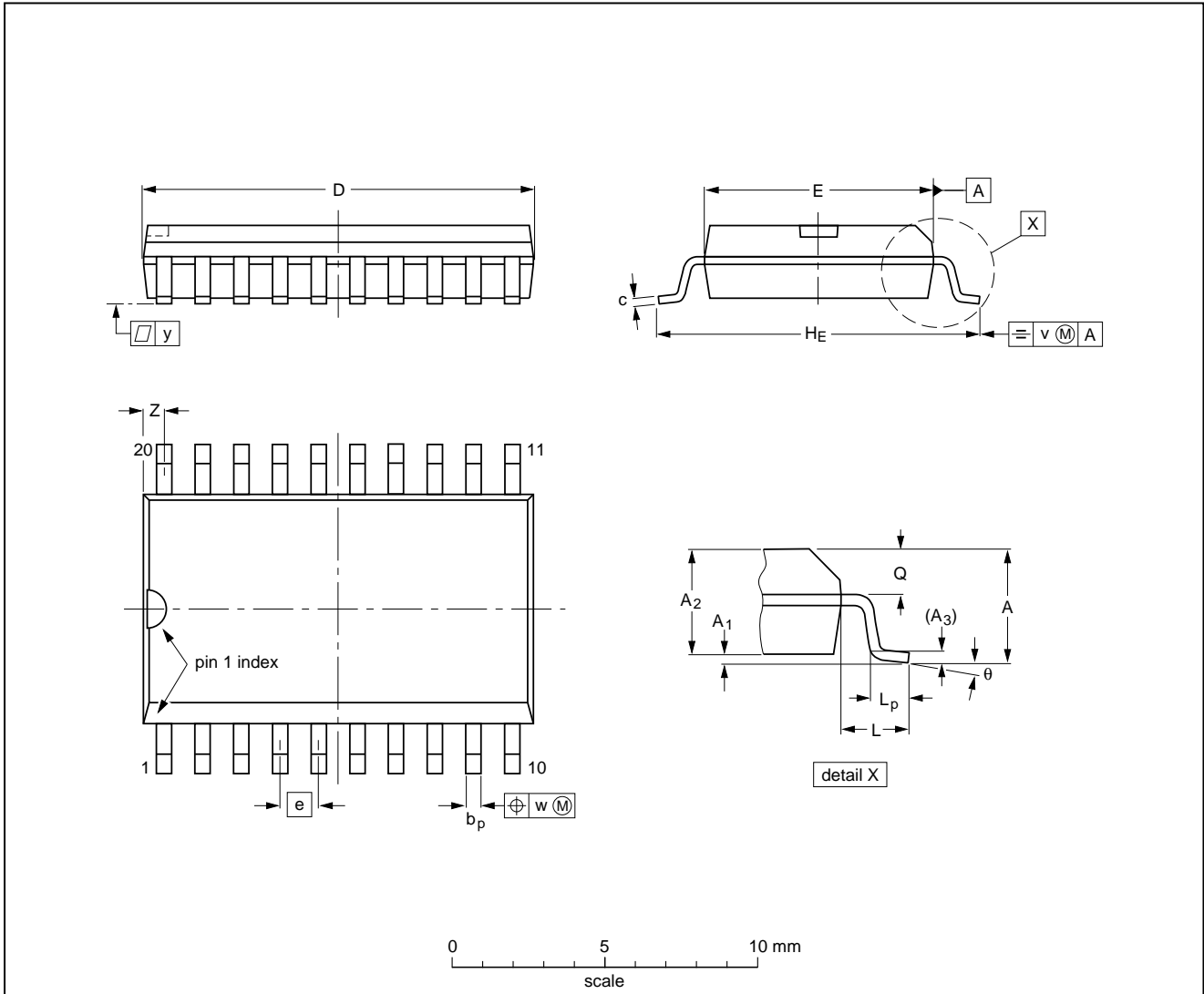
OUTLINE VERSION	REFERENCES				EUROPEAN PROJECTION	ISSUE DATE
	IEC	JEDEC	EIAJ			
SOT102-1						93-10-14 95-01-23

IF amplifier/demodulator for FM radio receivers

TDA1599

SO20: plastic small outline package; 20 leads; body width 7.5 mm

SOT163-1



DIMENSIONS (inch dimensions are derived from the original mm dimensions)

UNIT	A max.	A <sub>1</sub>	A <sub>2</sub>	A <sub>3</sub>	b <sub>p</sub>	c	D <sup>(1)</sup>	E <sup>(1)</sup>	e	H <sub>E</sub>	L	L <sub>p</sub>	Q	v	w	y	Z <sup>(1)</sup>	θ
mm	2.65	0.30 0.10	2.45 2.25	0.25	0.49 0.36	0.32 0.23	13.0 12.6	7.6 7.4	1.27	10.65 10.00	1.4	1.1 0.4	1.1 1.0	0.25	0.25	0.1	0.9 0.4	8° 0°
inches	0.10	0.012 0.004	0.096 0.089	0.01	0.019 0.014	0.013 0.009	0.51 0.49	0.30 0.29	0.050	0.42 0.39	0.055	0.043 0.016	0.043 0.039	0.01	0.01	0.004	0.035 0.016	

Note

1. Plastic or metal protrusions of 0.15 mm maximum per side are not included.

OUTLINE VERSION	REFERENCES				EUROPEAN PROJECTION	ISSUE DATE
	IEC	JEDEC	EIAJ			
SOT163-1	075E04	MS-013AC				92-11-17 95-01-24

## IF amplifier/demodulator for FM radio receivers

TDA1599

### SOLDERING

#### Introduction

There is no soldering method that is ideal for all IC packages. Wave soldering is often preferred when through-hole and surface mounted components are mixed on one printed-circuit board. However, wave soldering is not always suitable for surface mounted ICs, or for printed-circuits with high population densities. In these situations reflow soldering is often used.

This text gives a very brief insight to a complex technology. A more in-depth account of soldering ICs can be found in our "IC Package Databook" (order code 9398 652 90011).

#### DIP

##### SOLDERING BY DIPPING OR BY WAVE

The maximum permissible temperature of the solder is 260 °C; solder at this temperature must not be in contact with the joint for more than 5 seconds. The total contact time of successive solder waves must not exceed 5 seconds.

The device may be mounted up to the seating plane, but the temperature of the plastic body must not exceed the specified maximum storage temperature ( $T_{stg\ max}$ ). If the printed-circuit board has been pre-heated, forced cooling may be necessary immediately after soldering to keep the temperature within the permissible limit.

##### REPAIRING SOLDERED JOINTS

Apply a low voltage soldering iron (less than 24 V) to the lead(s) of the package, below the seating plane or not more than 2 mm above it. If the temperature of the soldering iron bit is less than 300 °C it may remain in contact for up to 10 seconds. If the bit temperature is between 300 and 400 °C, contact may be up to 5 seconds.

#### SO

##### REFLOW SOLDERING

Reflow soldering techniques are suitable for all SO packages.

Reflow soldering requires solder paste (a suspension of fine solder particles, flux and binding agent) to be applied to the printed-circuit board by screen printing, stencilling or pressure-syringe dispensing before package placement.

Several techniques exist for reflowing; for example, thermal conduction by heated belt. Dwell times vary between 50 and 300 seconds depending on heating method. Typical reflow temperatures range from 215 to 250 °C.

Preheating is necessary to dry the paste and evaporate the binding agent. Preheating duration: 45 minutes at 45 °C.

##### WAVE SOLDERING

Wave soldering techniques can be used for all SO packages if the following conditions are observed:

- A double-wave (a turbulent wave with high upward pressure followed by a smooth laminar wave) soldering technique should be used.
- The longitudinal axis of the package footprint must be parallel to the solder flow.
- The package footprint must incorporate solder thieves at the downstream end.

During placement and before soldering, the package must be fixed with a droplet of adhesive. The adhesive can be applied by screen printing, pin transfer or syringe dispensing. The package can be soldered after the adhesive is cured.

Maximum permissible solder temperature is 260 °C, and maximum duration of package immersion in solder is 10 seconds, if cooled to less than 150 °C within 6 seconds. Typical dwell time is 4 seconds at 250 °C.

A mildly-activated flux will eliminate the need for removal of corrosive residues in most applications.

##### REPAIRING SOLDERED JOINTS

Fix the component by first soldering two diagonally-opposite end leads. Use only a low voltage soldering iron (less than 24 V) applied to the flat part of the lead. Contact time must be limited to 10 seconds at up to 300 °C. When using a dedicated tool, all other leads can be soldered in one operation within 2 to 5 seconds between 270 and 320 °C.

# IF amplifier/demodulator for FM radio receivers

TDA1599

## DEFINITIONS

<b>Data sheet status</b>	
Objective specification	This data sheet contains target or goal specifications for product development.
Preliminary specification	This data sheet contains preliminary data; supplementary data may be published later.
Product specification	This data sheet contains final product specifications.
<b>Limiting values</b>	
Limiting values given are in accordance with the Absolute Maximum Rating System (IEC 134). Stress above one or more of the limiting values may cause permanent damage to the device. These are stress ratings only and operation of the device at these or at any other conditions above those given in the Characteristics sections of the specification is not implied. Exposure to limiting values for extended periods may affect device reliability.	
<b>Application information</b>	
Where application information is given, it is advisory and does not form part of the specification.	

## LIFE SUPPORT APPLICATIONS

These products are not designed for use in life support appliances, devices, or systems where malfunction of these products can reasonably be expected to result in personal injury. Philips customers using or selling these products for use in such applications do so at their own risk and agree to fully indemnify Philips for any damages resulting from such improper use or sale.